

MODEL DL 610

STAINLESS STEEL SINK / LAUNDRY SINK
DROP IN OR UNDERMOUNT INSTALLATION

GENERAL

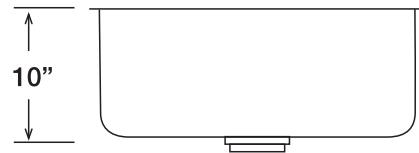
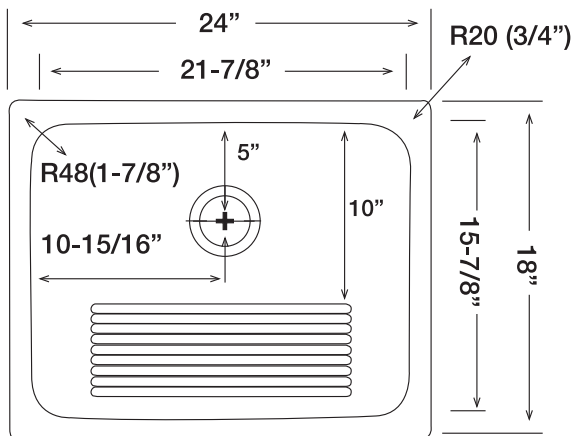
Fine quality sink bowl formed of 18 gauge
BA 304 18/10 nickel bearing stainless steel.

DESIGN FEATURES

Bowl Depth : 10"
Finish : Soft Satin Finish
Underside : Sound absorbing pads and special paint
applied to dampen sound
Drain Opening : 3-1/2"



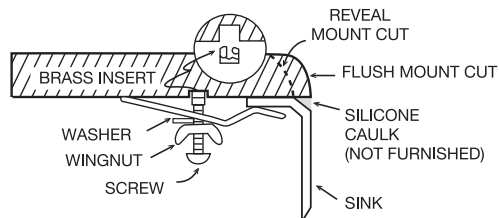
SINK DIMENSIONS (INCHES)



Recommended Cabinet Size 27"

INSTALLATION PROFILE*

(Undermount)



*Template and countertop mounting clips are packed with every sink