

### MODEL UK USL 480.60.40

DROP IN OR UNDERMOUNT INSTALLATION

#### GENERAL

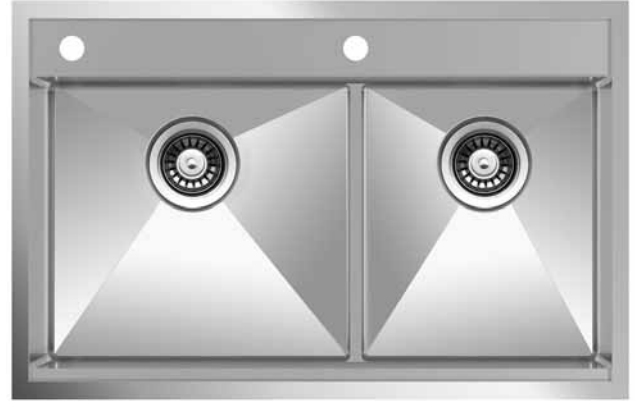
Fine quality sink bowl formed of 16 gauge  
BA 304 18/10 nickel bearing stainless steel.  
Includes installation hardware  
Use for standart 36" cabinet

#### DESIGN FEATURES

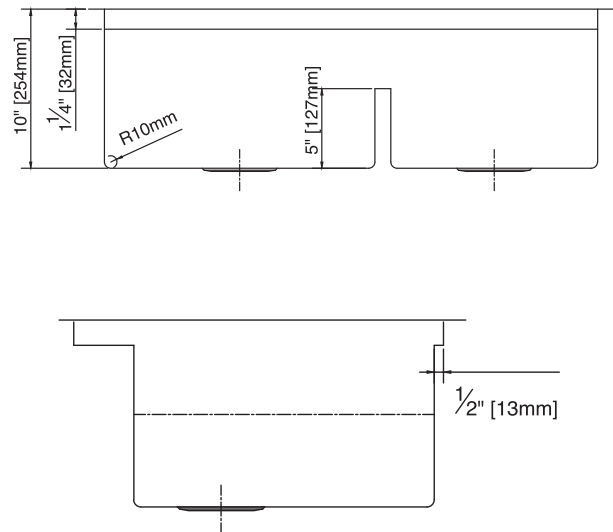
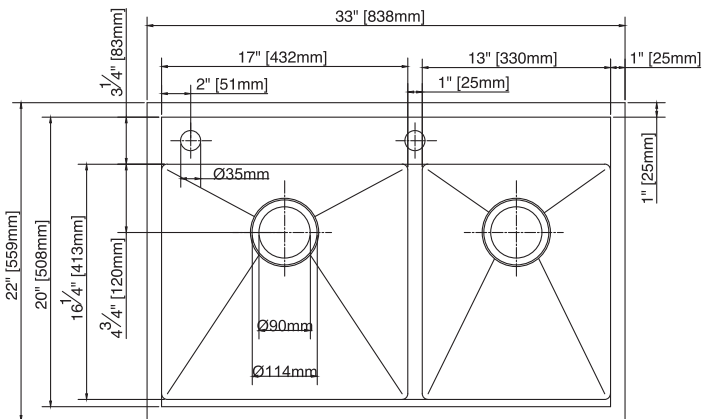
Bowl Depth : 10"  
Finish : Soft Satin Finish  
Underside : Sound absorption technology  
Drain Opening : 3-1/2"  
Corner Radius : R10 mm (3/8")

#### OPTIONAL ACCESSORIES

Stainless Steel Bottom Grid  
Wood Cutting Board  
Glass Cutting Board  
Stainless Steel Colander  
Drying Rack

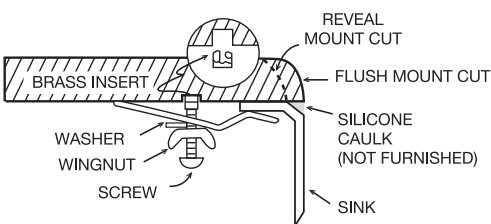


#### SINK DIMENSIONS (INCHES)

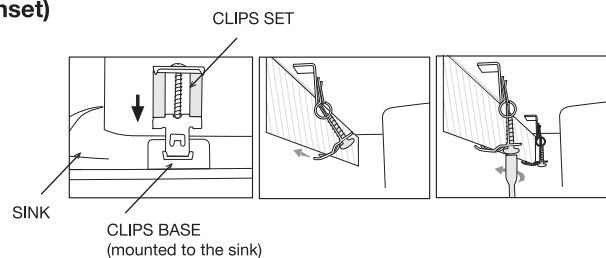


#### INSTALLATION PROFILE\*

(Undermount)



(Inset)



Ukinox reserves the right to change  
product specifications without notice.  
Printed in USA © 2023 Ukinox



\*Template and countertop  
mounting clips are packed  
with every sink