

MODEL WS 765

30" WORKSTATION

GENERAL

Fine quality sink bowl formed of 16 gauge
BA 304 18/10 nickel bearing stainless steel.
Includes installation hardware
Use for standart 36" cabinet

DESIGN FEATURES

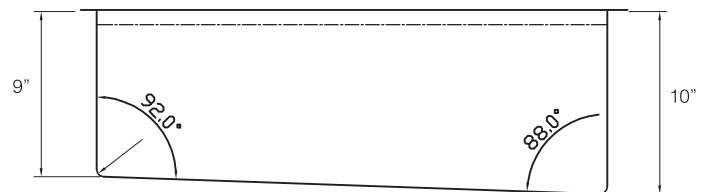
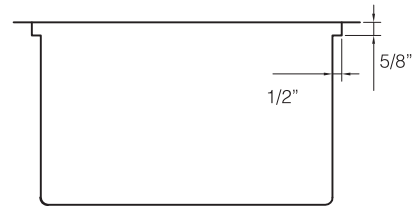
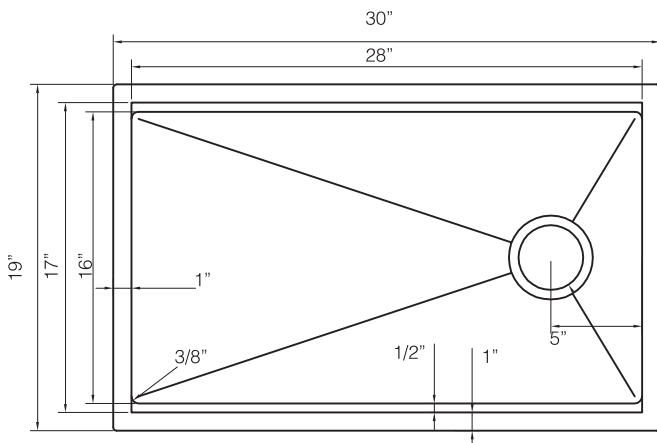
Bowl Depth : 10"
Finish : Soft Satin Finish
Underside : Sound absorption technology
Drain Opening : 3-1/2"
Corner Radius : R10 mm (3/8")

INCLUDED ACCESSORIES:

Drain Set
Dish Grid
Cutting Board
Rolling Rack

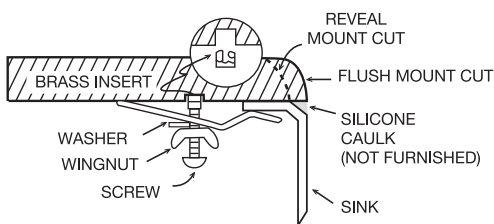


SINK DIMENSIONS (INCHES)



INSTALLATION PROFILE*

(Undermount)



*Template and countertop
mounting clips are packed
with every sink

Ukinox reserves the right to change
product specifications without notice.
Printed in USA © 2021 Ukinox

