

### MODEL WS 940

37" WORKSTATION

#### GENERAL

Fine quality sink bowl formed of 16 gauge BA 304 18/10 nickel bearing stainless steel.  
Includes installation hardware  
Use for standart 42" cabinet

#### DESIGN FEATURES

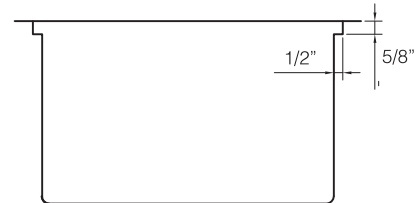
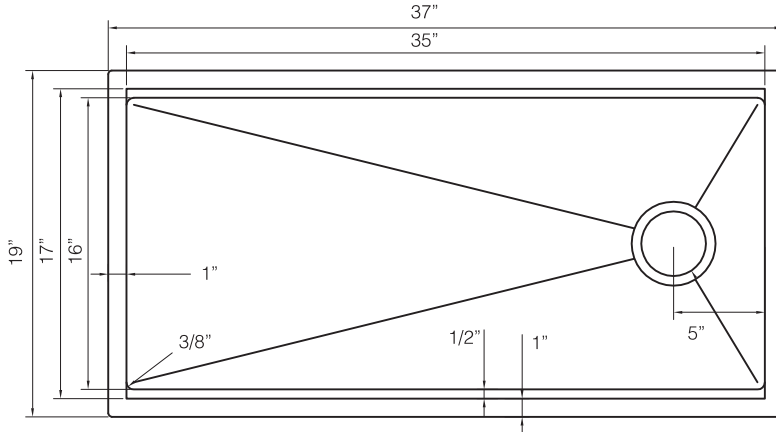
Bowl Depth : 10"  
Finish : Soft Satin Finish  
Underside : Sound absorption technology  
Drain Opening : 3-1/2"  
Corner Radius : R10 mm (3/8")



#### INCLUDED ACCESSORIES:

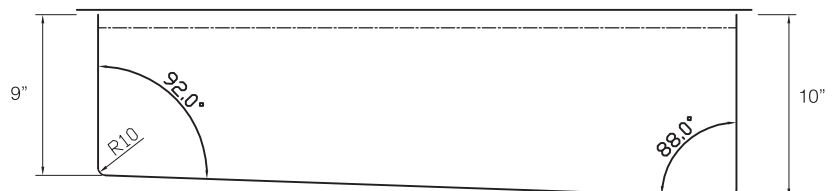
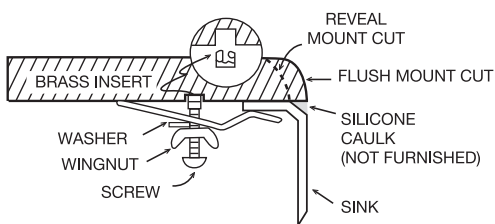
Drain Set  
Dish Grid  
Cutting Board  
Rolling Rack

#### SINK DIMENSIONS (INCHES)



#### INSTALLATION PROFILE\*

(Undermount)



Ukinox reserves the right to change product specifications without notice.  
Printed in USA © 2021 Ukinox



\*Template and countertop mounting clips are packed with every sink