

MODEL D 375 60 40

UNDERMOUNT TYPE

GENERAL

Fine quality sink bowls formed of 18 gauge
BA 304 18/10 nickel bearing stainless steel.

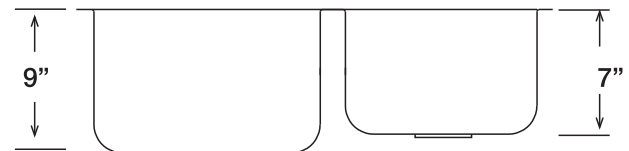
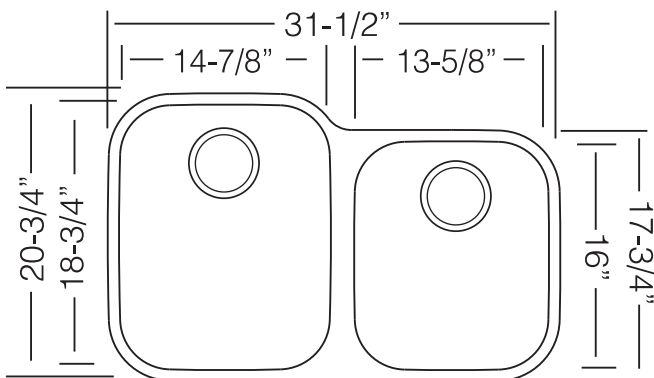
DESIGN FEATURES

Bowl Depth : 9" large bowl 7" small bowl'
Finish : Soft Satin Finish
Underside : Aluminum coated Sound Absorbing
Pads to dampen sound.
Drain Opening : 3-1/2" - 3-1/2"

OPTIONAL ACCESSORIES

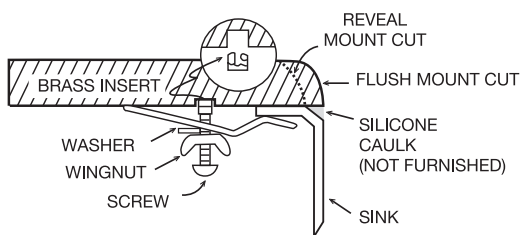
Stainless Steel Bottom Grid
Wood Cutting Board
Glass Cutting Board
Stainless Steel Colander
Drying Rack

SINK DIMENSIONS (INCHES)



Recommended Cabinet Size 36"

INSTALLATION PROFILE*



*Template and countertop mounting clips are packed with every sink

Ukinox reserves the right to change product specifications without notice.
Printed in USA © 2019 Ukinox

