

MODEL D 537 70 30

MODEL D 537 70 30R Reverse Model
UNDERMOUNT TYPE

GENERAL

Fine quality sink bowls formed of 18 gauge BA 304 18/10 nickel bearing stainless steel.

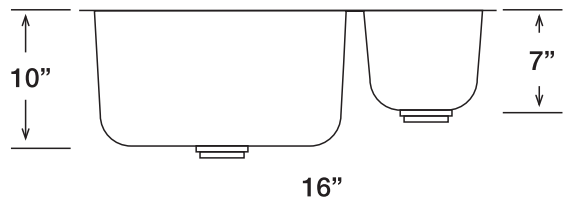
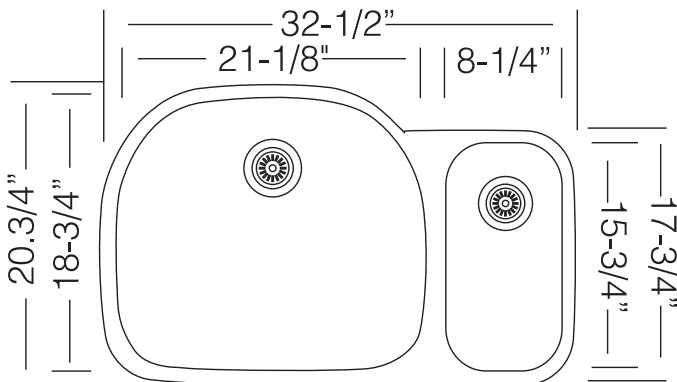
DESIGN FEATURES

Bowl Depth : 10" large bowl 7" small bowl'
Finish : Soft Satin Finish
Underside : Sound absorbing pads and special paint applied to dampen sound
Drain Opening : 3-1/2" - 3-1/2"

OPTIONAL ACCESSORIES

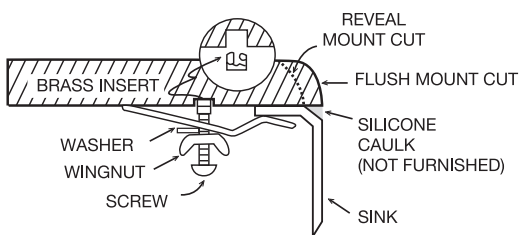
Stainless Steel Bottom Grid
Stainless Steel Rinsing Basket
Wood Cutting Board
Drying Rack

SINK DIMENSIONS (INCHES)



Recommended Cabinet Size 36"

INSTALLATION PROFILE*



*Template and countertop mounting clips are packed with every sink

Ukinox reserves the right to change product specifications without notice.
Printed in USA © 2019 Ukinox

