

MODEL D 759

UNDERMOUNT TYPE

GENERAL

Fine quality sink bowl formed of 18 gauge BA 304 18/10 nickel bearing stainless steel.

DESIGN FEATURES

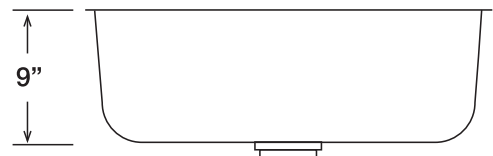
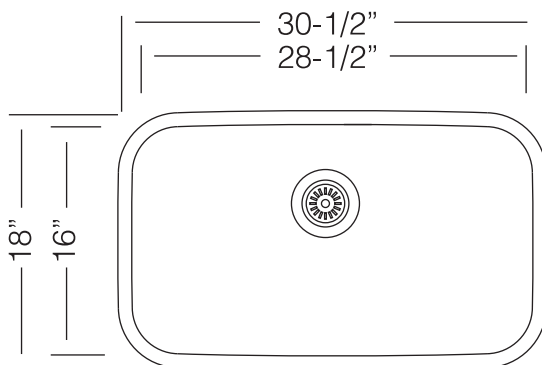
Bowl Depth : 9"
Finish : Soft Satin Finish
Underside : Sound absorbing pads and special paint applied to dampen sound
Drain Opening : 3-1/2"



OPTIONAL ACCESSORIES

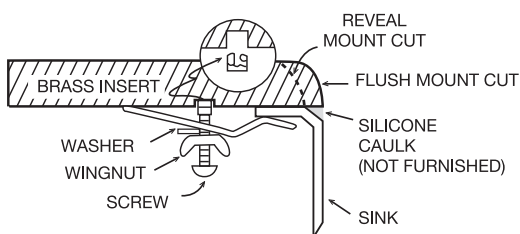
Stainless Steel Bottom Grid
Wood Cutting Board
Glass Cutting Board
Stainless Steel Colander
Drying Rack

SINK DIMENSIONS (INCHES)



Recommended Cabinet Size 33"

INSTALLATION PROFILE*



*Template and countertop mounting clips are packed with every sink

Ukinox reserves the right to change product specifications without notice.
Printed in USA © 2019 Ukinox

